

# 5MP Fisheye Fixed Dome Network Camera

IPC815SR-DV(S)PF14



## Key Features



## Optics

- Ultra wide angle lens, 360° panoramic image
- Smart IR, Up to 10 m (33ft) IR distance
- 2D/3D DNR (Digital Noise Reduction)

## Compression

- Ultra 265, H.265, H.264, MJPEG
- Built-in omni directional microphone (IPC815SR-DVPF14)
- Triple stream

## Network

- ONVIF Conformance

## Structure

- Support PoE power supply
- Wide temperature range: -40°C to 60°C (-40°F to 140°F)

- Wide voltage range of  $\pm 25\%$
- IK10
- IP66

## Specifications

	IPC815SR-DVPPF14	IPC815SR-DVSPF14			
<b>Camera</b>					
Image sensor	1/2.8", progressive scan, 5.0 megapixel, CMOS				
Lens	1.4mm@F2.0				
DORI Distance	Lens	Detect (m)	Observe (m)	Recognize (m)	Identify (m)
	1.4mm	31.5	12.6	6.3	3.2
Angle of View	360°				
Shutter	Auto/Manual, shutter time: 1~1/100000 s				
Minimum Illumination	Colour: 0.01 Lux (F2.0, AGC ON) 0 Lux with IR				
Day/Night	IR-cut filter for day & night function				
S/N	>55dB				
IR Range	UP to 10m (33ft)				
wavelength	850nm				
IR On/Off Control	Auto/Manual				
Defog	Digital Defog				
WDR	120dB				
<b>Video</b>					
Compression	Ultra 265, H.265, H.264, MJPEG				
H.264 code profile	Baseline profile, Main Profile, High Profile				
Frame Rate	Main Stream: (2592×1944): Max.30fps; Sub Stream: (1920×1080): Max.30fps; Third Stream: D1(720 x 576): Max.30 fps				
Video Bit Rate	128 Kbps~16 Mbps				
OSD	Up to 8 OSDs				
ROI	Up to 8 areas				
Privacy Mask	Up to 8 areas				
Motion Detection	Up to 4 areas				
General Function	Watermark, IP Address Filtering, Tampering Alarm, Alarm input, Alarm output, Access Policy, ARP Protection, RTSP Authentication, User Authentication				
<b>Image</b>					
White Balance	Auto/Outdoor/Fine Tune/Sodium Lamp/Locked/Auto2				
Digital noise reduction	2D/3D DNR				
Smart IR	Support				
Flip	Normal/Flip Vertical/ Flip Horizontal/180°				
Dewarping	N/A				
HLC	N/A				
BLC	Support				

**Audio**

Audio Compression	G.711	N/A
Two-way audio	Supported	N/A
Suppression	Supported	N/A
Sampling Rate	8 KHZ	N/A

**Storage**

Edge Storage	Micro SD, up to 256GB
Network Storage	ANR, NAS(NFS)

**Network**

Protocols	IPv4, IGMP, ICMP, ARP, TCP, UDP, DHCP, PPPoE, RTP, RTSP, RTCP, DNS, DDNS, NTP, FTP, UPnP, HTTP, HTTPS, SMTP, 802.1x, SNMP, QoS
Compatible Integration	ONVIF (Profile S, Profile G, Profile T), API
Client	EZStation EZView EZLive
Web Browser	Plug-in required live view: IE9+, Chrome 41 and below, Firefox 52 and below
	Plug-in free live view: Chrome 57.0+, Firefox 58.0+, Edge 16+, Safari 11+

**Live View Display**

Mount Type	Support table, wall, and ceiling
------------	----------------------------------

**Interface**

Audio I/O	Input: impedance 35 kΩ; amplitude 2 V [p-p]	N/A
	Output: impedance 600 Ω; amplitude 2 V [p-p]	N/A
Alarm I/O	1/1	N/A
Built-in Mic	Supported	N/A
Video Output	1 BNC, impedance 75 Ω; amplitude 1 V [p-p]	N/A
Network	1 RJ45 10M/100M Base-TX Auto-adaptive Ethernet	

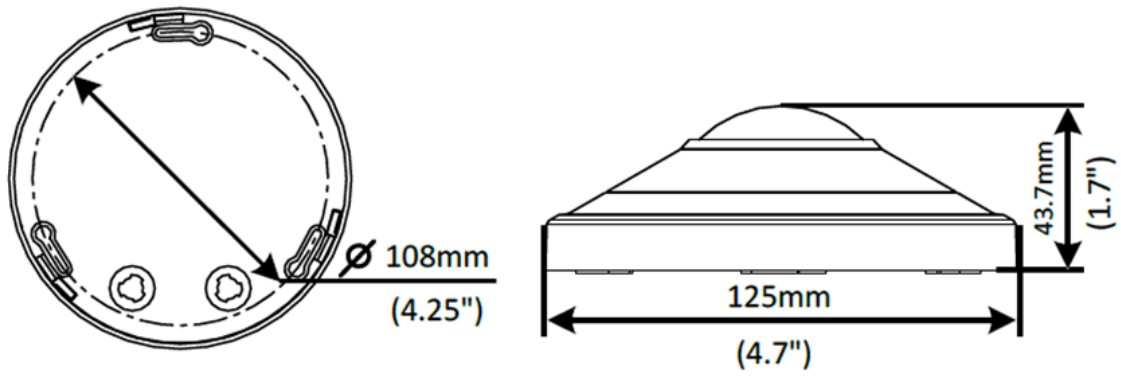
**Certifications**

Certifications	CE: EN 60950-1 UL: UL60950-1 FCC: FCC Part 15
----------------	---

**General**

Power	DC12V±25%,PoE (IEEE 802.3af)
	Power consumption: Max. 8.9 W
Dimensions (Φ × H)	Φ125 × 43.7 mm (Φ4.9" × 1.7")
Net Weight	0.39kg (0.86lb)
Material	Metal + Plastic
Working Environment	-40°C~60°C (-40°F~140°F), Humidity: ≤95% RH
Storage Environment	-40°C~60°C (-40°F~140°F), Humidity: ≤95% RH
surge protection	6KV
Ingress Protection	IP66
Vandal Resistant	IK10
Reset Button	Supported

## Dimensions



## Accessories

TR-JB03-H-IN



TR-A01-IN



TR-SE24-IN



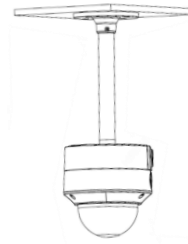
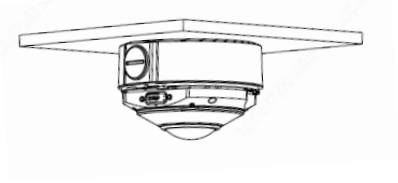
TR-SE24-A-IN



TR-CM24-IN



Junction box	Indoor pendant mount
TR-JB03-H-IN+TR-A01-IN	TR-JB03-H-IN +TR-A01-IN+ TR-SE24-IN(TR-SE24-A-IN)+ TR-CM24-IN



**Zhejiang Uniview Technologies Co., Ltd.**

Building No.10, Wanlun Science Park, Jiangling Road 88, Binjiang District, Hangzhou, Zhejiang, China (310051)

Email: [overseasbusiness@uniview.com](mailto:overseasbusiness@uniview.com); [globalsupport@uniview.com](mailto:globalsupport@uniview.com)

<http://www.uniview.com>

©2019 Zhejiang Uniview Technologies Co., Ltd. All rights reserved.

\* Product specifications and availability are subject to change without notice.